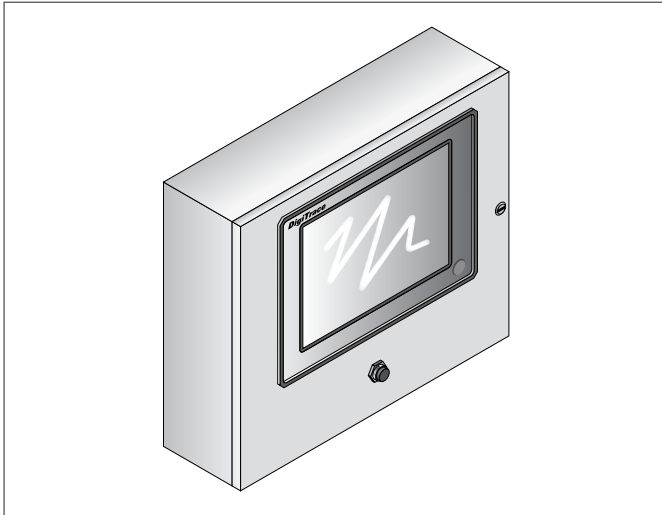


DigiTrace TOUCH 1500R

REMOTE USER INTERFACE TERMINAL FOR DIGITRACE NGC SYSTEMS INSTALLATION INSTRUCTIONS



KIT CONTENTS

Qty	Description
1	TOUCH 1500 display
4	Elastomeric washers
1	5-ft 9-pin RS-232 (null modem) cable

General

Area of use	Nonhazardous, Indoors (IP65, NEMA 4)
Supply voltage	100 – 240 Vac \pm 10%, 50/60 Hz 96 VA
Operating temperature	0°C to 50°C (32°F to 122°F)
Storage Temperature	-20°C to 60°C (-4°F to 140°F)
Dimensions	610 mm W X 508 mm H X 152 mm D (24 in. W X 20 in. H X 6 in. D)

Alarm Outputs

Relay output	One Form C relay rated at 3 A @ 250 Vac. Relay is used as a common alarm.
--------------	--

LCD Display

Display	LCD is a 15-in XGA, color TFT transfective device with integral CCFL backlight.
Touch screen	4-wire resistive touch screen interface for user entry.

DESCRIPTION

The TOUCH 1500R is a wall-mounted touch screen display which allows the Touch 1500 user interface display to be installed remotely. The TOUCH 1500R is used with DigiTrace NGC-40 and NGC-20 (Europe only) control and monitoring systems.

The TOUCH 1500R is rated IP 65 (NEMA 4) and is approved for nonhazardous indoor locations. These instructions describe how to mount the TOUCH 1500R on a wall how to make connections to the User Interface Terminal and are intended for a qualified electrician.

TOOLS REQUIRED

- Drill or hole punch for electrical conduit entries
- Phillips (cross-head) screwdriver
- Small flat-head screwdriver

ADDITIONAL MATERIALS

- Wall fasteners for surface mounting (four screws)
- RS-485 cable (Belden # 8761, or Carol # C2514)

APPROVALS / CERTIFICATIONS

Nonhazardous Locations



Network Connection

Local/Remote Port	* RS-232/RS-485 ports may be used to communicate with host computers DTS (DigiTrace Supervisor Software) or DCS.
	Local RS-232 A non-isolated, 9 pin D sub male
	Remote RS-485 2-wire isolated. Screw terminal connector block 0.2 – 2.5 mm ² (24 – 12 AWG).
	Data rate 9600 to 57600 baud.
	Maximum For RS-485 not to exceed 1200 m (4000 ft). Cable to cable length be shielded twisted pair.
Field Port	RS-485, 2-wire isolated. Used to communicate with external devices, such as NGC-40-BRIDGE. Maximum cable length not to exceed 1200 m (4000 ft). Cable to be shielded twisted pair.
	Signals Screw terminal connector block 0.34 – 5.2 mm ² (22 – 10 AWG).
	Data rate To 9600 baud
LAN	10/100 Base-T Ethernet port with Link and Activity Status LEDs (X2)
USB Ports	USB 2.0 Host port Type A receptacle (X4)

⚠ WARNING:

FIRE HAZARD: The Touch 1500R must not be used in hazardous locations. Electrical components within the unit could ignite flammable gases. Do not install the unit where it may be exposed to flammable gases.

⚠ IMPORTANT:

The TOUCH 1500R is an electronic unit. During installation, take the following precautions to avoid damage to its electronic components.

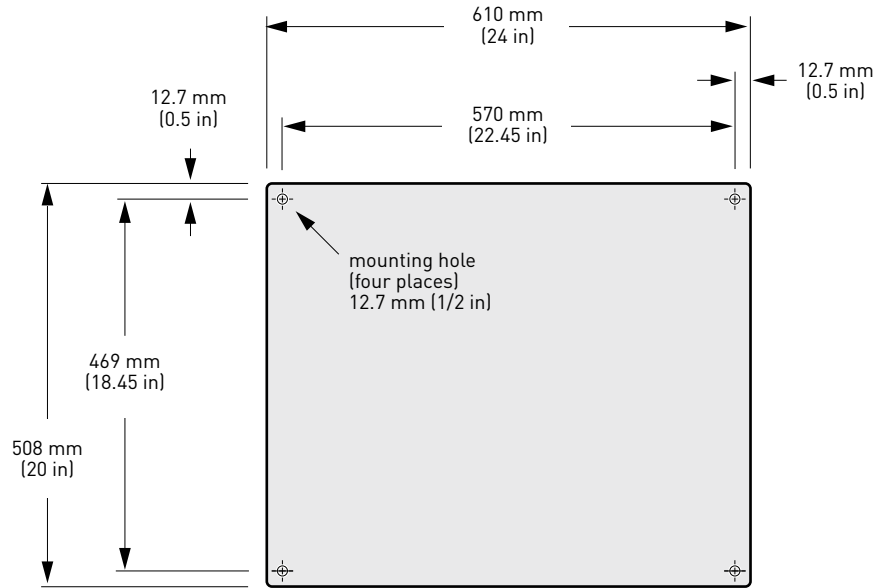
- Handle with care to avoid mechanical damage.
- Keep electronics dry.

- Avoid exposure to static electricity.
- Avoid contamination with metal filings, liquids, or other foreign matter.
- Use agency-approved conduit bushings, adapters, and cable glands to keep the enclosure protected from dust and fluids.

Mounting the Enclosure

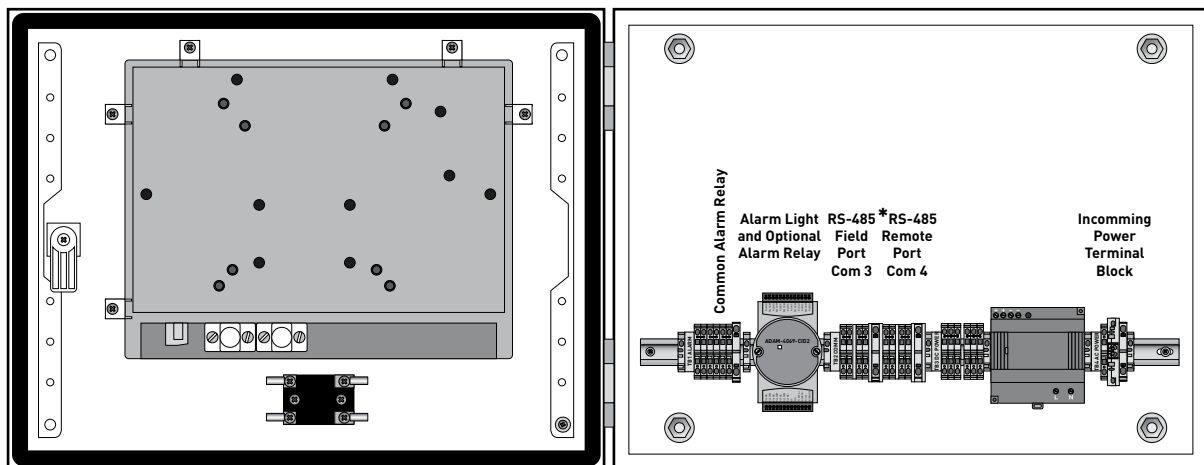
The DigiTrace TOUCH 1500R controller must be mounted in a nonhazardous indoor location. Choose a location indoors where the controller will be protected from the elements and kept above 0°C (32°F) and below 50°C (122°F).

Install the enclosure using four screws (not provided) in the prepunched 12.7 mm (1/2 in) mounting holes with centers as shown below. Make sure the rubber elastomeric washers (provided in the DigiTrace TOUCH 1500R shipping box) are aligned to seal around the mounting screws to maintain the NEMA 4 and IP65 ratings.



Electrical Safety

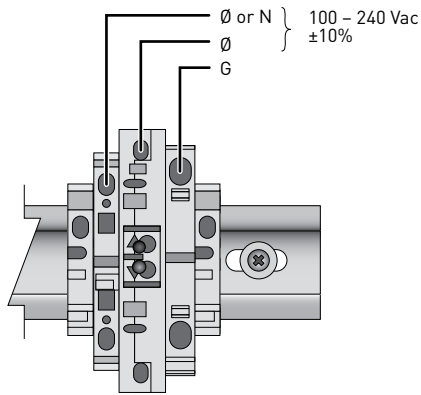
Follow electrical safety procedures when installing and maintaining the TOUCH 1500R unit, as line voltage is present inside.



Connecting Main Power

Use only copper conductors for field wiring. A close-up of the power connection terminals is shown below. This connection energizes the DigiTrace TOUCH 1500 electronics only; it does not provide power to the heat tracing or contactor coils.

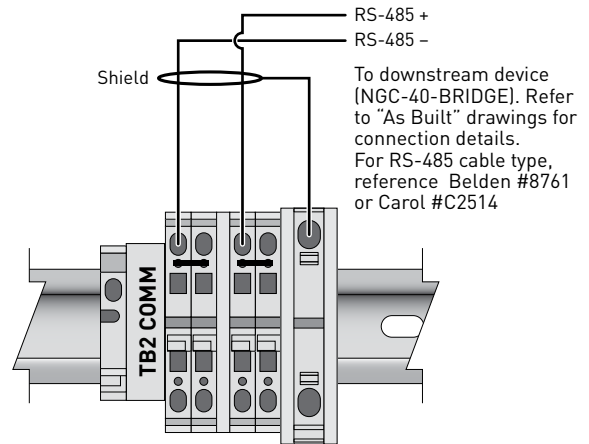
Note: If the DigiTrace TOUCH 1500R controller has a different source of power than the heat tracing, it may be worthwhile to install an uninterruptible power supply (UPS) so the unit can continue to control and/or monitor the heat tracing in the event of a localized power failure.



Connecting RS-485 Field Port Communication/Com 3

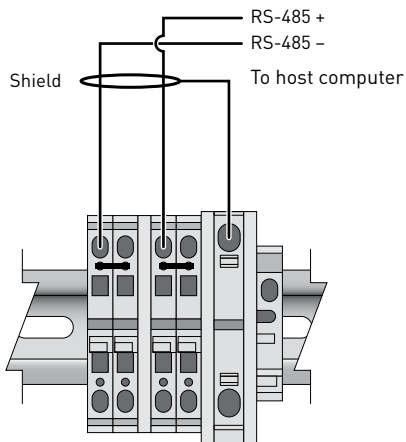
The NGC-40-BRIDGE communicate with the TOUCH 1500R over an RS-485 network, which may have a total cable length of 1200 m (4000 ft).

The RS-485 communicating cable shall be a shielded, two conductor (twisted pair) cable.



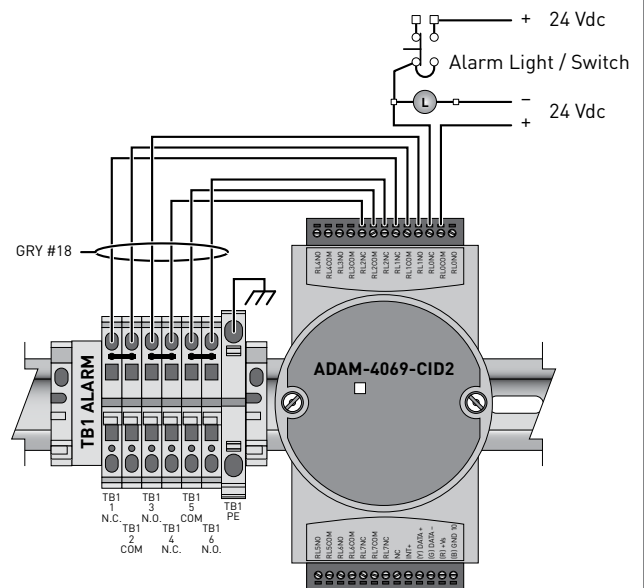
Connecting RS-485 Remote Port Communication/Com 4

The TOUCH 1500 can communicate with distributed control systems (DCS) or other host computers through the remote communication port.*

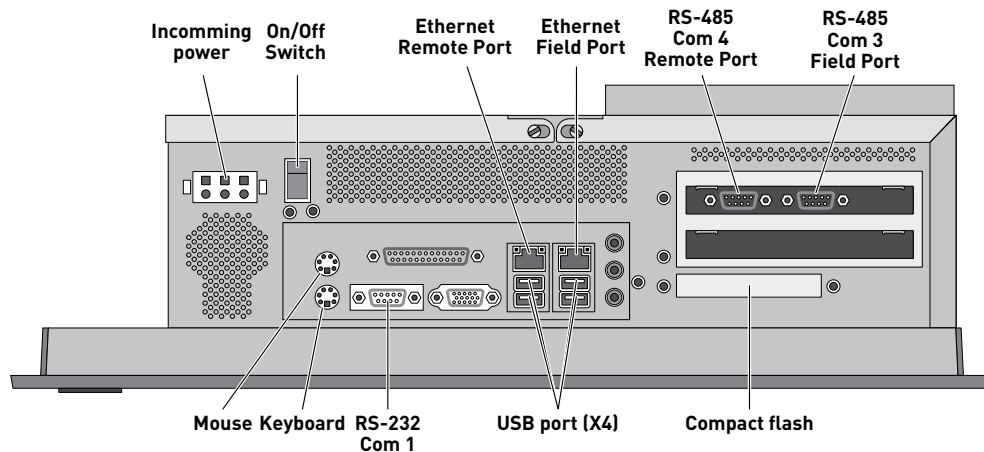


Alarm Light and Option Alarm Relays

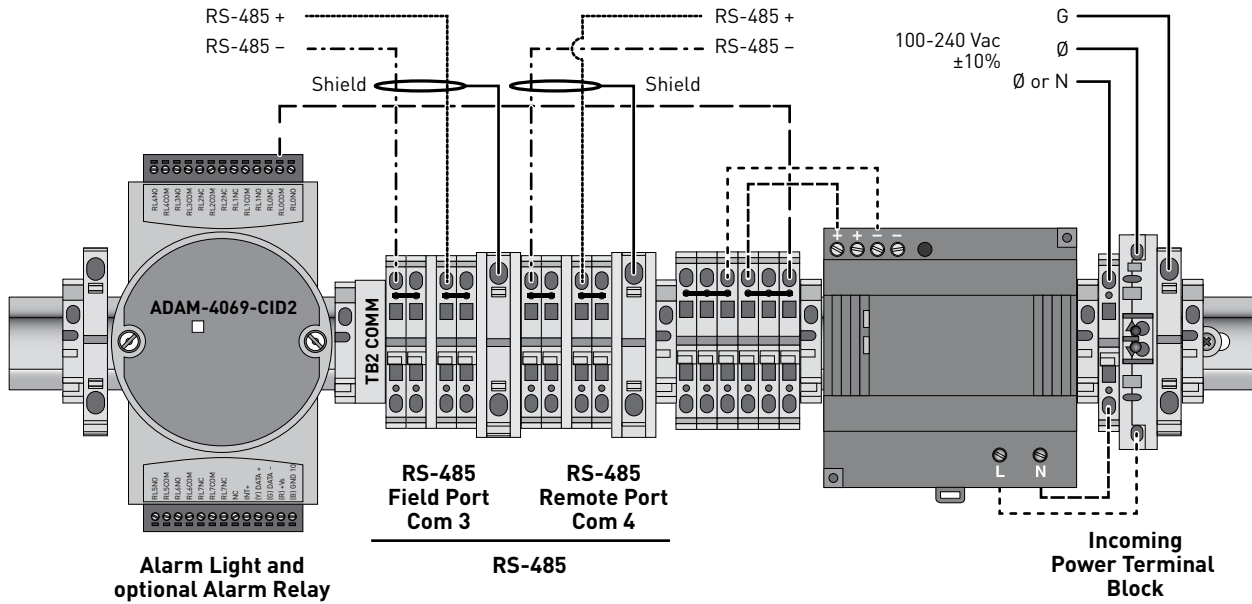
The ADAM 4069-CID2 relay module is used to control the common alarm lamp on the front of the panel if any alarm occurs.



TOUCH 1500R Connection Diagram



Overview of Wiring



* Support for the connectivity between TOUCH 1500 and Host computers will be available in 2013.



WWW.THERMAL.PENTAIR.COM

NORTH AMERICA

Tel: +1.800.545.6258
 Fax: +1.800.527.5703
 Tel: +1.650.216.1526
 Fax: +1.650.474.7711
 thermal.info@pentair.com

EUROPE, MIDDLE EAST, AFRICA

Tel: +32.16.213.511
 Fax: +32.16.213.603
 thermal.info@pentair.com

ASIA PACIFIC

Tel: +86.21.2412.1688
 Fax: +86.21.5426.2917
 cn.thermal.info@pentair.com

LATIN AMERICA

Tel: +55.11.2588.1400
 Fax: +55.11.2588.1410
 thermal.info@pentair.com

Pentair, DigiTrace and TOUCH are owned by Pentair or its global affiliates. All other trademarks are the property of their respective owners. Pentair reserves the right to change specifications without prior notice.

© 2010-2013 Pentair.